



Available in Roth® Type\*, MBT™\*, .020" x .028" and Extra Torque.  
Packaged in single patient kits, sliding tubes for A-Box or in bags of 5.

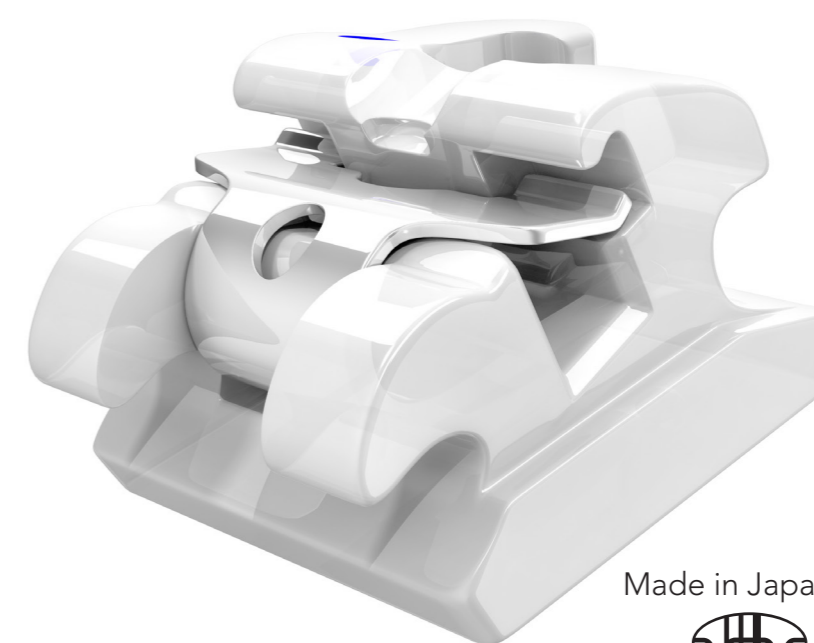
Visit [www.gcorthodontics.eu](http://www.gcorthodontics.eu) for further information.



Printed on a 60% recycled paper. - 99-11E0-1100 Rev01 - 12/2015 - \*EXPERIENCE is a trademark of GC Orthodontics Europe GmbH. All other trademarks are property of their respective holders. All Rights Reserved.



# EXPERIENCE ceramic



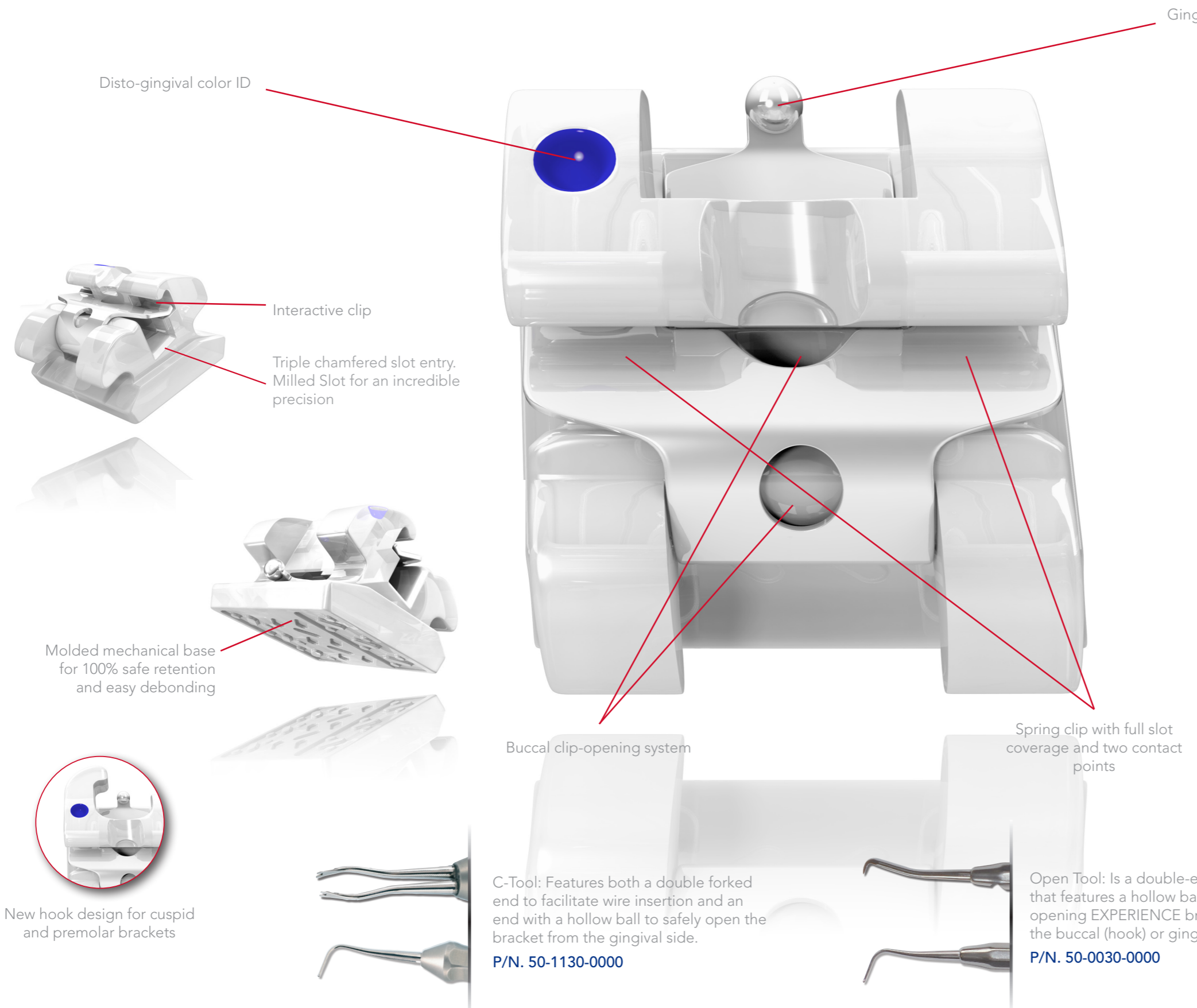
Made in Japan by



## Reinvented with a **New Clip**

**GC Orthodontics**  
GLOBAL EXPERTS IN ORTHODONTICS

# EXPERIENCE ceramic



Disto-lingival color ID

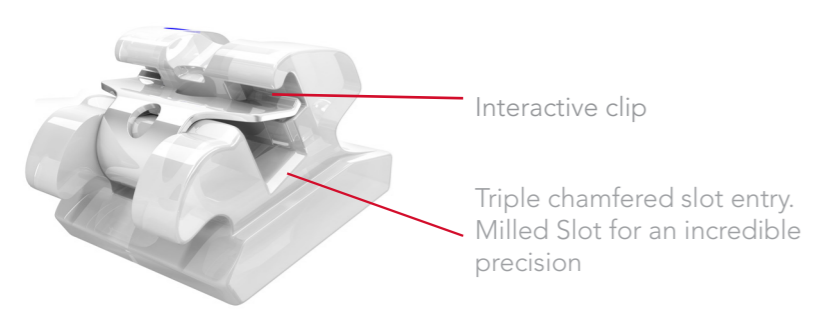
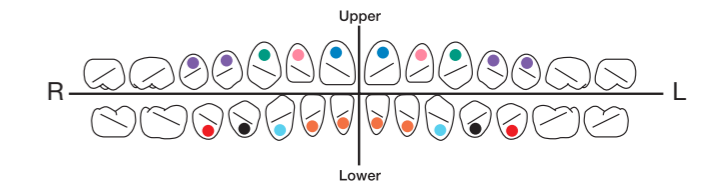
Gingival clip-opening system

**SL Product** **Hi Aesthetic**

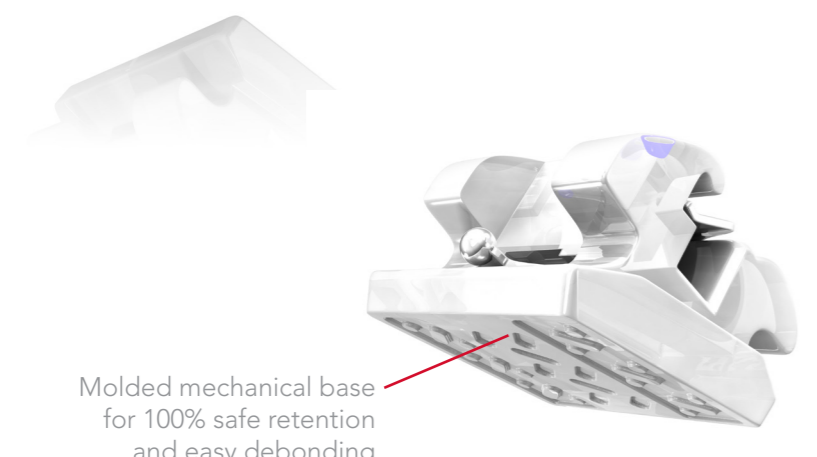
Discreet when in the mouth, this ceramic injected molded self-ligating aesthetic appliance features all the mechanical properties and strength of metal brackets. Highly translucent, its rhodium coated clip literally blends into the bracket's ceramic body.

**Rhodium Coated Rh**  
Rhodium coated technology is also used in our Initialloy and BIO-ACTIVE archwires. When combined with EXPERIENCE™ ceramic brackets, the overall aesthetics of the appliance are exceptional.

**Color Codes**  
Disto-lingival color coding allows for quick bracket identification and bonding accuracy. Color codes may differ for bicuspids for some prescriptions.



Interactive clip  
Triple chamfered slot entry.  
Milled Slot for an incredible precision



Molded mechanical base for 100% safe retention and easy debonding



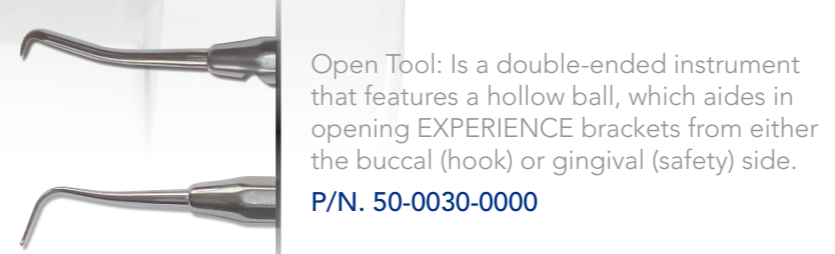
New hook design for cuspid and premolar brackets

Buccal clip-opening system

Spring clip with full slot coverage and two contact points



C-Tool: Features both a double forked end to facilitate wire insertion and an end with a hollow ball to safely open the bracket from the gingival side.  
**P/N. 50-1130-0000**



Open Tool: Is a double-ended instrument that features a hollow ball, which aides in opening EXPERIENCE brackets from either the buccal (hook) or gingival (safety) side.  
**P/N. 50-0030-0000**